



ANALYZING THE PERFORMANCE OF A TRAFFIC REPLICATION IN UNAUTHENTICATED PEER TO PEER NETWORKS

Boothkur Srujana¹, K.Helini²

¹M.Tech Student, Dept of CSE, Samskruti College of Engineering & Technology, Ghatkesar, R.R Dist, A.P, India

²Assistant Professor, Dept of CSE, Samskruti College of Engineering & Technology, Ghatkesar, R.R Dist, A.P, India

ABSTRACT:

Here in the market based strategy related to the popularity with respect to the network oriented strategy in a well effective manner in the network related to the sharing of the file in a well oriented fashion from the end to end that is peer to peer in a well unstructured based strategy respectively. Here the networks oriented with unstructured strategy many of the peers get activated here where by the randomized inter connection takes place in the strategy which is completely dependent on the aspects of the objects discovered based on the relating to the query based flooding oriented strategy in a well respective fashion takes place in the entire system respectively. Here the analysis oriented with the empirical form of the strategy in which networks related to the end to end based indication as a major concern related aspect depending on the preferences of the similarity oriented fashion in a well respective phenomena by the help of the unstructured representation for the participation of the scenario in a peer to peer basis depending on the similarity in the aspect respectively. Here the networks related to the result oriented phenomena in a well efficient manner where there is an arise in the problem in the system based aspect in which due to the non functionality of the complete entire system in a well efficient manner respectively. This may cause some of the problems related to the degradation of the performance related to the entire system based aspect respectively. Here in order to overcome the above problem a new technique is implemented in a well oriented fashion by the network related to the peer to peer oriented strategy in an unstructured environment in a well respective environment respectively. Here the system is implemented by the desired strategy in which by the property of the power law based phenomena in a well effective manner an also the exhibition of the pattern based sharing of the file in a well oriented strategy respectively. Experiments have been conducted

on the present method and the number of analysis is made in an accurate manner and with respect to the different environmental strategies in a well efficient manner even though the performance of the system is effective followed by the entire system based outcome in well designed fashion respectively.

Keywords: Network oriented strategy, Nodal analysis; Peer to peer service based strategy, unstructured allocation respectively.

1. INTRODUCTION

Internet plays a major role in the society nowadays many of the companies are completely based on the aspects of the internet based strategy in a well oriented fashion respectively [1]. Here internet plays a vital role in the society. Here the applications related to the search based operation plays a vital role in the system based implementation strategies in a well respective fashion. Where many of the users are getting attracted to this particular oriented strategy in a well efficient manner respectively. Here in the present day life internet is the primary aspect of the each and every individual related concern respectively. Here the transmission of the data takes place in a most reliable fashion respectively [2][4]. Where this is a wireless based strategy and it is implementing in the reduced cost based representation respectively. Here the networks based on the end to end oriented fashion that is peer to peer oriented strategy which is mainly applied on the

internet based strategy in a well efficient manner respectively [3][5]. Therefore there is a huge necessity of the implementation of the present method in a well efficient manner respectively. By the help of the internet based phenomena it is mainly used for the deployment of the services based on the requirement of the user followed by their accessibility oriented criteria respectively [6][8]. Some of the services based on the internet includes sharing of the effective file based strategy, retrieval of the data based on the similarity fusion score based analysis followed by the streaming of the media that is the access of the videos by the help of the browsing based strategy in a well efficient manner respectively[7]. There is a huge popularity related to the application oriented to this particular sought of the technology oriented aspect in a well respective fashion where there is an effective maintenance of the scaling oriented strategy followed by the reduced cost based factor respectively.

2. METHODOLOGY

In this paper a method is designed with a well effective framework based strategy in which there should be an improved performance followed by the accurate analysis with respect to the entire system based outcome oriented phenomena [8]. Here the implementation of the present method is shown in the below figure in the form of the block diagram and is explained in an elaborative fashion respectively [9][10]. Here the present method completely overcome the drawbacks of the several previous methods in a well effective fashion and also the improvement in the performance of the entire system based scenario respectively. Here the present method is implemented in order to control the degraded performance of the previous methods followed by the improvement in the outcome of the entire system based aspect in a well efficient manner respectively.

BLOCK DIAGRAM

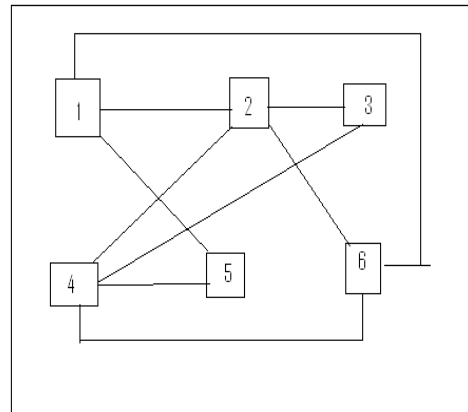


Fig 1: Shows the block diagram of the present method respectively

3. EXPECTED RESULTS

A lot of analysis is made between the present method to that of the several previous methods and also the number of the huge simulations have been applied on the large number of the data set in a well oriented fashion respectively. A comparative analysis is made between the present method to that of the several previous methods as shown in the below figure in the form of the graphical representation respectively. There is a huge challenge for the present method in which it is supposed to analyze the problems of the several methods in a well respective fashion followed by the accurate outcome in a well oriented strategy respectively.

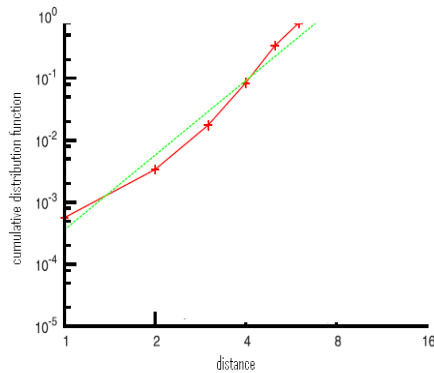


Fig 2: Shows the graphical representation of the present method respectively

4. CONCLUSION

In this paper a method is designed with a well efficient strategy where there is a major necessity of the problem solving followed by the improvement in the degraded strategy of the previous method in a well oriented fashion respectively. Here a network is designed based on the unstructured oriented phenomena in a well respective fashion between the end to end oriented strategy in a well effective manner respectively. Where there is a lot of efficiency by the above unstructured strategy followed by the effective improvement in the performance by the above search oriented algorithm in a well respective fashion respectively. Here the probability oriented constant strategy where there is an accurate analysis is made based on the particular design oriented

algorithm in a well effective manner and followed by the implementation of the system in a particular aspect in which an effective transfer of the data takes place from the end to end in a well effective manner respectively. Here there is a problem due to the ill functioning of the system therefore this can be overcome by the help of the rectification of the nodes in a well respective fashion. Here we finally conclude that the present method is effective in terms of the performance based improvement followed by the entire overall system based outcome in a well oriented fashion respectively.

REFERENCES

- [1] Y. Zhu and Y. Hu, "Enhancing Search Performance on Gnutella- Like P2P Systems," IEEE Trans. Parallel and Distributed Systems, vol. 17, no. 12, pp. 1482-1495, Dec. 2006.
- [2] S. Voulgaris, M. Steen, and K. Iwanicki, "Proactive Gossip-Based Management of Semantic Overlay Networks," Concurrency and Computation: Practice and Experience, vol. 19, no. 17, pp. 2299-2311, Dec. 2007.
- [3] P. Raftopoulou, E.G.M. Petrakis, and C. Tryfonopoulos, "Rewiring Strategies for Semantic Overlay Networks," Distributed and Parallel Databases, vol. 26, nos. 2/3, pp. 181-205, Dec. 2009.
- [4] K.C.-J. Lin, C.-P. Wang, C.-F. Chou, and L. Golubchik, "SocioNet: A Social-Based Multimedia Access System for Unstructured

P2P Networks,” IEEE Trans. Parallel and Distributed Systems, vol. 21, no. 7, pp. 1027-1041, July 2010.

[5] S. Merugu, S. Srinivasan, and E. Zegura, “Adding Structure to Unstructured Peer-to-Peer Networks: The Use of Small-World Graphs,” J. Parallel and Distributed Computing, vol. 65, no. 2, pp. 142-153, Feb. 2005.

[6] H. Jin, X. Ning, and H. Chen, “Efficient Search for Peer-to-Peer Information Retrieval Using Semantic Small World,” Proc. 15th ACM Int’l Conf. World Wide Web (WWW ’06), pp. 1003-1004, May 2006.

[7] G. Chen, C.P. Low, and Z. Yang, “Enhancing Search Performance in Unstructured P2P Networks Based on Users’ Common Interest,” IEEE Trans. Parallel and Distributed Systems, vol. 19, no. 6, pp. 821-836, June 2008.

[8] W. Ke and J. Mostafa, “Strong Ties versus Weak Ties: Studying the Clustering Paradox for Decentralized Search,” Proc. Seventh Int’l Workshop Large-Scale Distributed Systems for Information Retrieval (LSDS-IR ’09), pp. 49-56, July 2009.

[9] B. Bollobás, Random Graphs, second ed. Cambridge Univ. Press, 2001.

[10] X. Li and J. Wu, “Searching Techniques in Peer-to-Peer Networks,” Handbook of Theoretical and Algorithmic Aspects of Ad Hoc, Sensor, and Peer-to-Peer Networks, pp. 613-642, Auerbach, 2006.